

SKEET FIELD LIGHTING

Muscatine
Lighting Manufacturing Co., Inc.
420 Stewart Road
Muscatine, Iowa 52761
Components or Equivalent

- 2 Steel or wood poles 20 feet to 25 feet above the ground
 - 2 ML-1500-3F Fixtures with semi-flood reflectors when using steel poles
 - 2 ML-1500-3P Fixtures with semi-flood reflectors when using wood poles
- Above lighting for use with 220V supply

General Electric Components or Equivalent

- 2 Hinged Poles #35-112-98-02
- 2 Steel Brackets #35-112308-06
- 6 L69A Fixtures #C508G053
- 6 Slip Fitters #35-110728-28
- 6 PS-52C7A Lamps 1500N
- 2 3" to 2" Reducers
- *6 Adapters #35-110728-02

* These adapters used when using wood cross arms.
Above lighting for use with 120V power supply. Height of light poles 20 feet to 25 feet above ground.

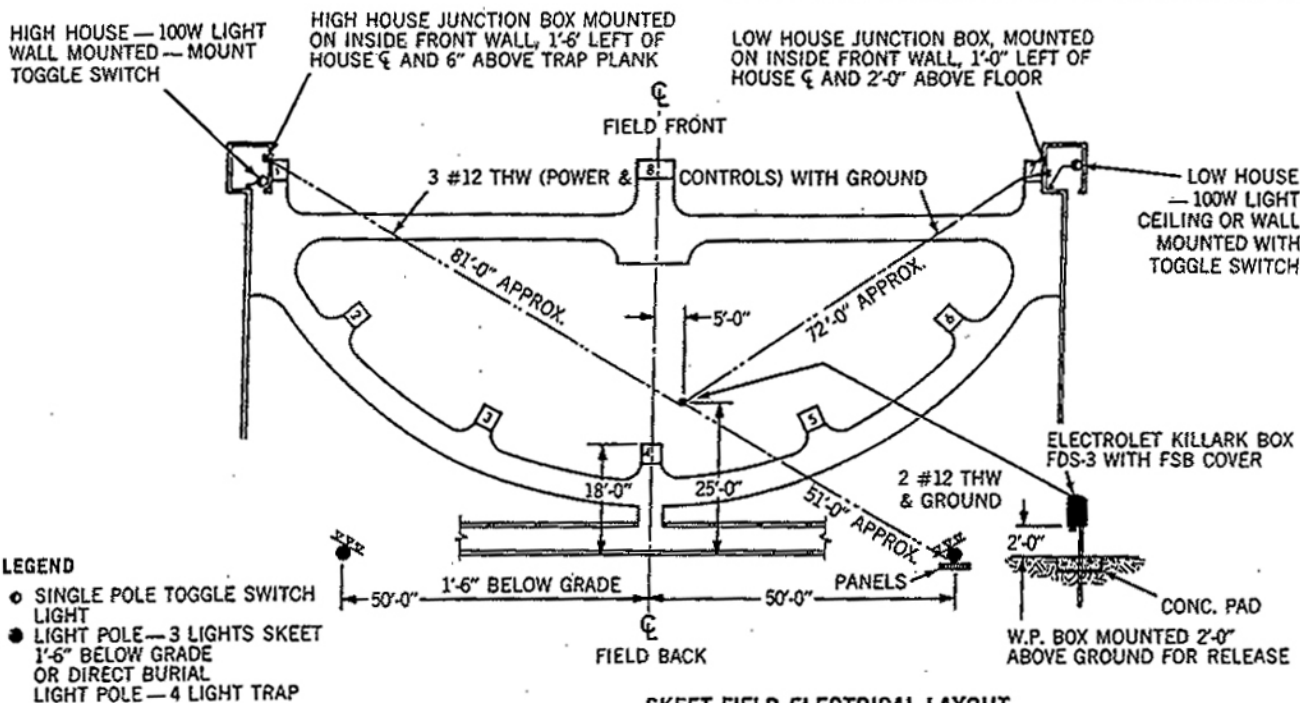
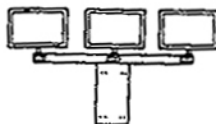
ML-1500-3F

3 ML-1500 fixtures mounted on MUSCO Bar A3153F with pole fitter for top of pole mounting. Pre-wired ready to install.
Net weight 45 lbs.

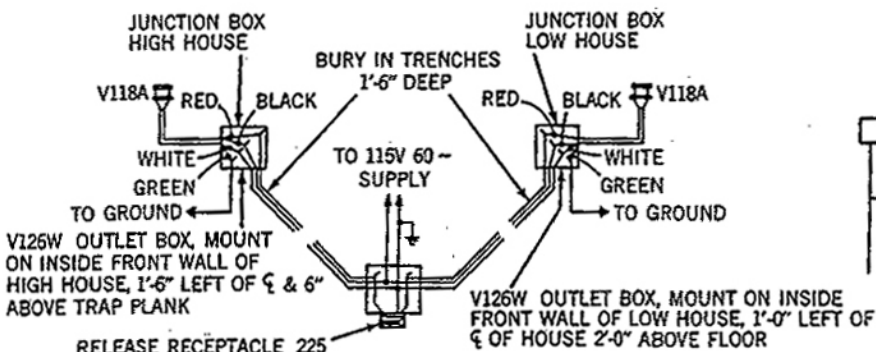


ML-1500-3P

3 ML-1500 fixtures mounted on MUSCO Bar A3153P with plate for wood pole or pipe mounting. 8 in. plate drilled for 'U' bolts. Pre-wired ready to install.
Net weight 52 lbs.

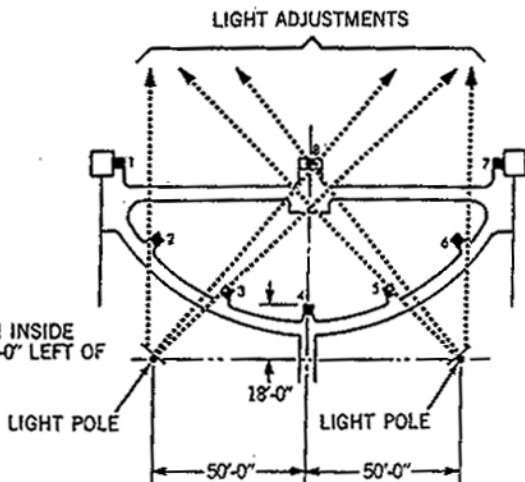


NOTE:
EACH FIELD MUST BE WIRED IN THIS MANNER INDEPENDENT OF ANY OTHER FIELD



WIRING DIAGRAM

WINCHESTER FURNISHES
2 V118A POWER CORDS
1 225 RELEASE RECEPTACLE
3 V126W OUTLET BOXES



LIGHT ADJUSTMENT DIAGRAM FOR SKEET FIELD