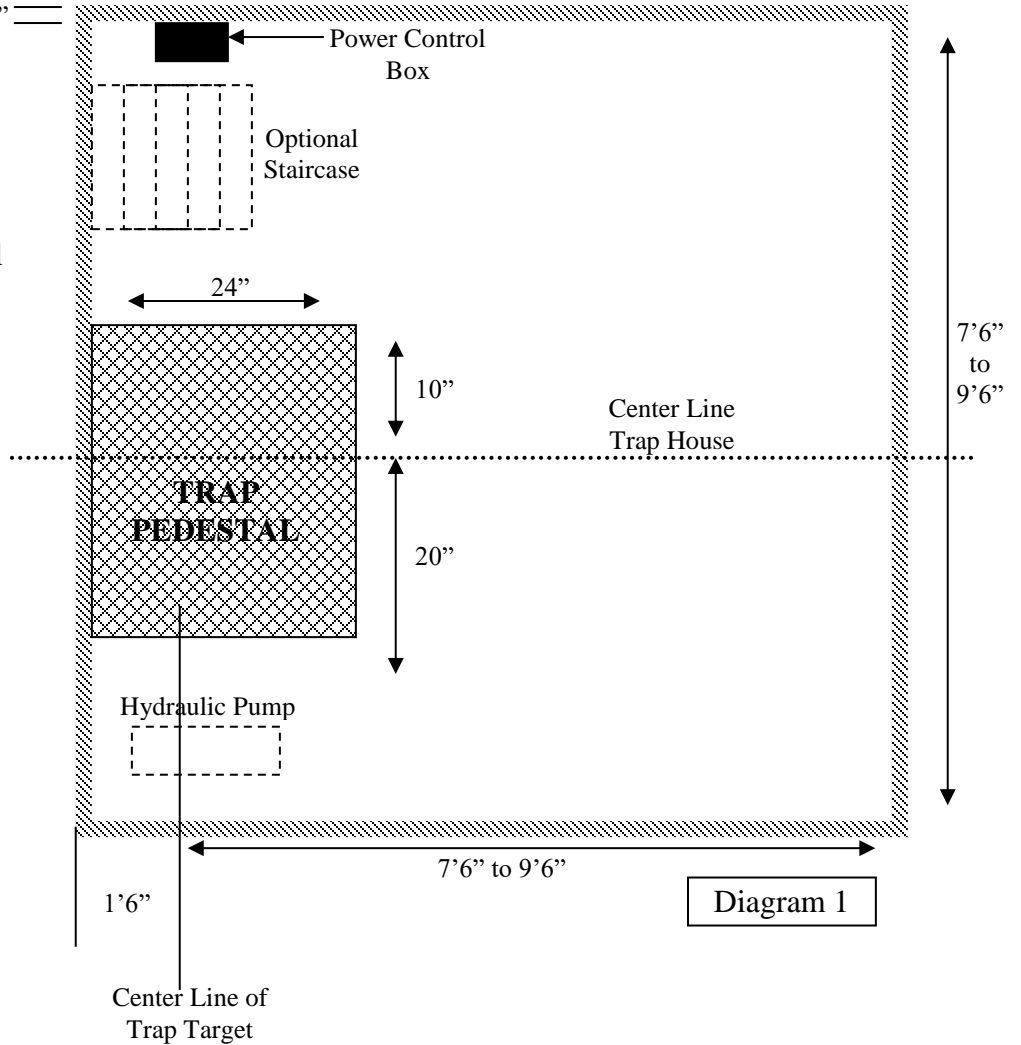




**Top-Down Suggested Plan View of Trap House**

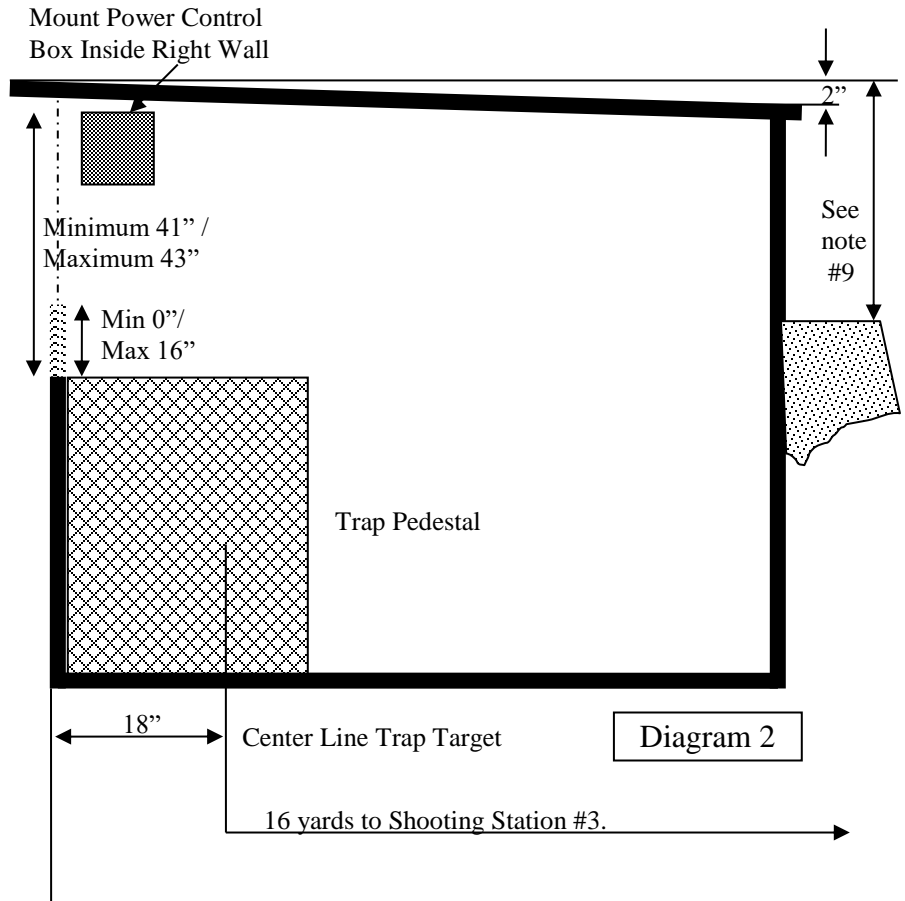
1. Water proof all sides below 4" grade.
2. Open front trap houses are preferred if grade allows it.
3. All Walls and Roof are shown as 4" thickness.
4. Reinforce concrete per local building codes.
5. Install drainage as required.
6. Trap House Door should be weather proof and can be locked.
7. Trap House length in not less than 7'6" or more than 9'6" per ATA.
8. Trap House width is not less than 7'6" or more than 9'6" per ATA.





**Side View (Cross Section) of Trap House**

1. Paint Roof and Rear Wall Green.
2. Water Proof All Sides Below Grade.
3. Open Front Trap Houses are preferred if grade permits. Trap house opening is a minimum of 26" to a maximum of 43". Wall minimum of 0" from top of pedestal to a maximum of 16" from top of pedestal.
4. All Walls and Roof are shown as 4" Thick.
5. Reinforce Concrete Per Local Building Codes.
6. Install Drainage as Required.
7. Trap House Door Should be Weather Proof and Capable of Being Locked.
8. Trap House Length is Not Less Than 7'6" or More Than 9'6"
9. Trap House Height is 2'2" Minimum and 3'0" Maximum from Shooting Station #3.



For Complete Rules: See Amateur Trapshooting Association Official Rules Section XIII Standards for Trap Houses, Targets, Target Settings, Guns and Ammunition.



**PAT-TRAP® SERIAL NUMBER LOCATION**



Serial Number is stamped here.  
Example: "G4190"  
Also located on pump.

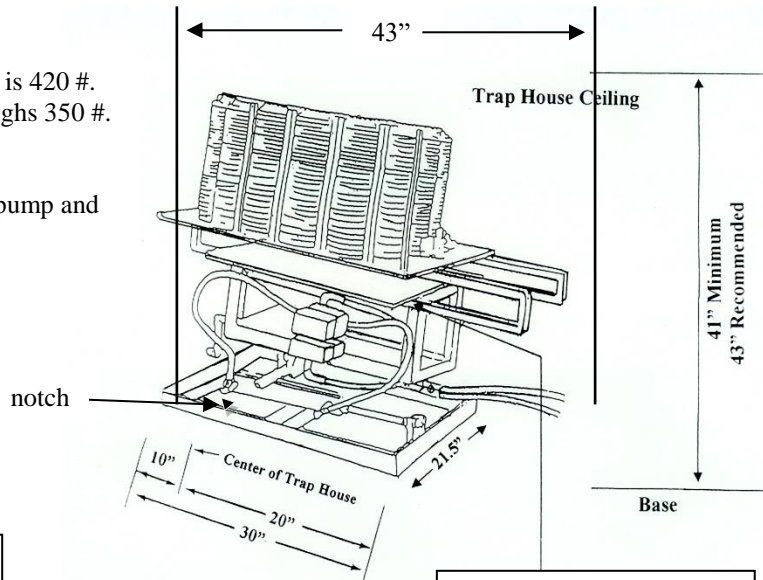
Diagram 5

**PAT-TRAP® Serial Number Location**

Serial Number Location: The Serial Number is stamped on the front left edge (shooting stand 1 Side) of the 1/4" thick steel "Throw Plate".

**PAT-TRAP® WEIGHTS AND DIMENSIONS**

A fully crated Pat-Trap is 420 #.  
Machine and pump weighs 350 #.  
Turret weigh 50 #.  
Pump weight 50 #.  
Pat-Trap machine w/o pump and turret weight 250 #.



The Serial Number is stamped on the edge of the 1/4" steel plate.

**Measurements of the Pat-Trap machine**

From the bottom of the base to the top of the King Pin 24"

From the bottom of the base to the top of the turret 34 3/4 "

Trap cog top max – 39 1/2 "

Trap cog bottom min – 37"

Wobble base to throw plate (up/down angles) min 17 3/4 "

Wobble base to throw plate (up/down angles) max 24 1/2 "

Wobble max – 39 1/2 "

Wobble Min – 34 3/4 "



**PAT-TRAP, Inc. \*Choice of the ATA\***

**[www.pattrap.com](http://www.pattrap.com)**

---

632 Western Avenue • Henniker, New Hampshire 03242 • Tel. (603) 428-3396

**Base Dimensions of PAT-TRAP®**